

Morrison Bros. Co.

Fig. 76DI & 78DI Expansion Relief Valves

Specification Sheet



Fig. 076DI & Fig. 078DI

DESCRIPTION

Expansion Relief Valves are used on AST piping for relief of excess pressure caused by thermal expansion of liquid. The Valve allows product to return back to the storage tank.

076DI...Specify 25 or 50 PSI. Primarily for use with line leak detection systems. Use Fig. 76DI anytime you need to maintain precise pressures in the piping system.

078DI...Specify 25, 40 or 100 PSI. Pressure settings are approximate.

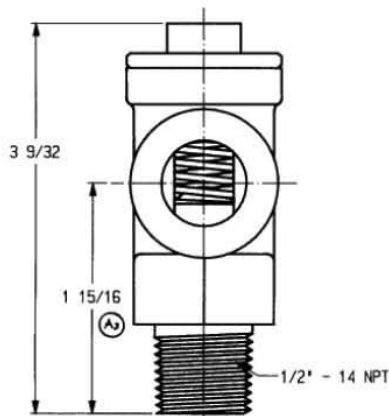


Fig. 078DI

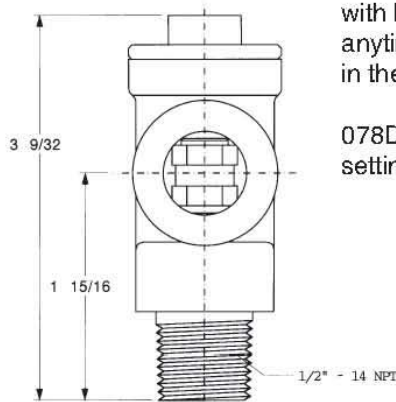


Fig. 076DI

SPECIFICATION OPTIONS:

- A—Size
- B—PSI Setting
- C—Body Material: DI (Ductile Iron)
- D—Cap Material: SS (Stainless Steel)
- E—Expansion Relief Valve Material: SS/TF (Stainless Steel/Teflon), NA (Not Applicable)
- F—Spring Material: SS (Stainless Steel), NA (Not Applicable)
- G—Check Ball Material: SS (Stainless Steel), NA (Not Applicable)
- WT.—Weight

| I.D. NUMBER | A | B | C | D | E | F | G | WT. |
|---------------|-----|-----|----|----|-------|----|----|------|
| 076DI-0100 AV | .5" | 25 | DI | SS | SS/TF | NA | NA | 0.75 |
| 076DI-0200 AV | .5" | 50 | DI | SS | SS/TF | NA | NA | 0.75 |
| 078DI-0100 AV | .5" | 25 | DI | SS | NA | SS | SS | 0.75 |
| 078DI-0200 AV | .5" | 40 | DI | SS | NA | SS | SS | 0.75 |
| 078DI-0300 AV | .5" | 100 | DI | SS | NA | SS | SS | 0.75 |

Distributed by:

Morrison Bros. Co.
Established 1855

Beamer & Associates LLC
2354 Ferdinand Lane - Montgomery, IL 60538
Phone/Fax (630) 340-4858
www.beamer-associates.com